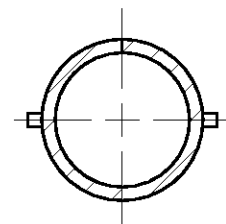
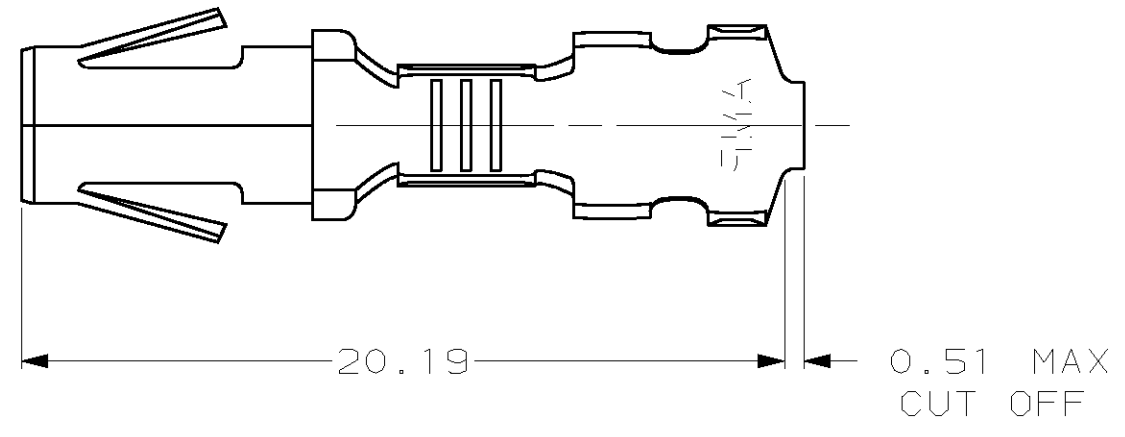


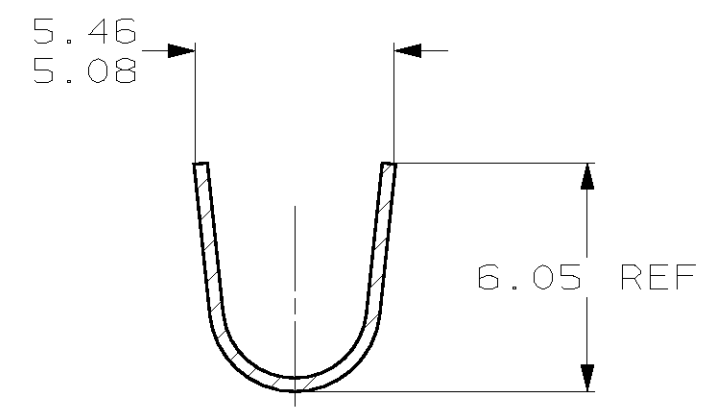
THIS DRAWING IS UNPUBLISHED. RELEASED FOR PUBLICATION .19
 (C) COPYRIGHT 19 BY AMP INCORPORATED. ALL RIGHTS RESERVED.

LOC		DIST		REVISIONS			
P	LTR	DESCRIPTION		DATE	DWN	APVD	
CM	53	D		REV & REDWN PER EC 0G1B-0217-98	29OCT98	TB	RS

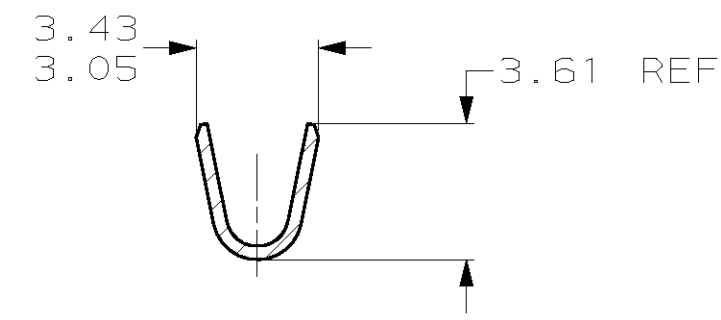
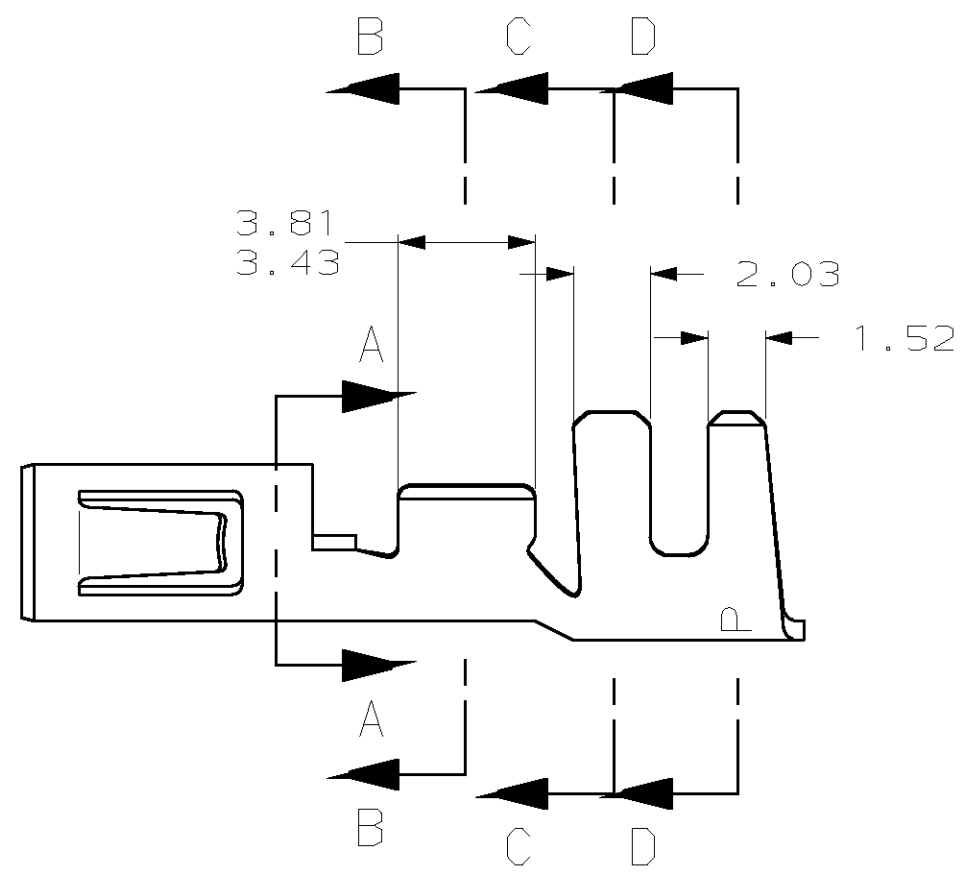
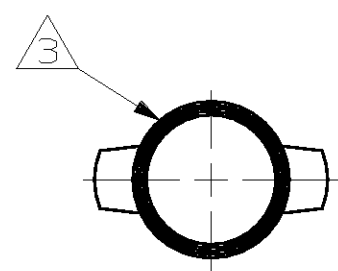
1. WIRE RANGE: 0.5 - 2 mm² (20 - 14 AWG)
2. INSULATION RANGE: 2.54 - 4.57
3. FRICTION FIT ON A 3.56 DIAMETER PIN.



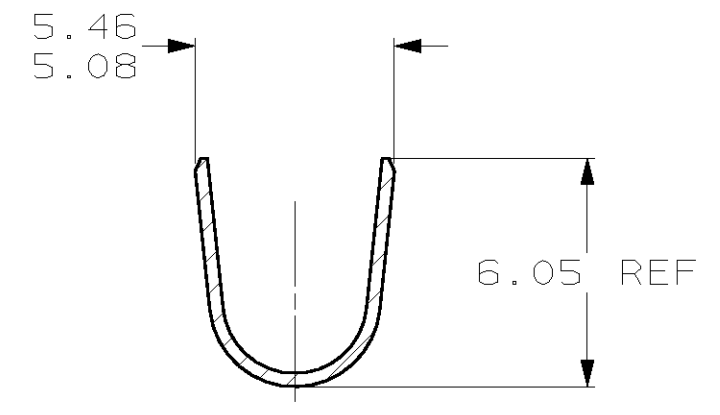
SECTION A-A



SECTION C-C



SECTION B-B



SECTION D-D

350388-1
PART NUMBER

MM	IN	MM	IN	MM	IN	MM	IN
1.52	.060	3.43	.135	4.57	.180	20.19	.795
0.51	.020	3.05	.120	3.81	.150	6.05	.238
0.35	.014	2.54	.100	3.61	.142	5.46	.215
0.13	.005	2.03	.080	3.56	.140	5.08	.200
MM	IN	MM	IN	MM	IN	MM	IN

CONVERSION TABLE

METRIC

THIS DRAWING IS A CONTROLLED DOCUMENT.		DWN	29OCT1998	AMP Incorporated Harrisburg, PA 17105-3608
DIMENSIONS: mm		CHK	29OCT1998	
TOLERANCES UNLESS OTHERWISE SPECIFIED:		APVD	16NOV1998	
0 PLC ±- 1 PLC ±- 2 PLC ±0.13 3 PLC ±- 4 PLC ±- ANGLES ±-		NAME	C. MARTIN	
MATERIAL 0.35 BRASS		FINISH	PRE-TIN	PRODUCT SPEC APPLICATION SPEC WEIGHT - CUSTOMER DRAWING
		SIZE	A2	SOCKET, LOOSE PIECE, .140 PIN & SOCKET CONNECTOR
		CAGE CODE	00779	DRAWING NO 350388
		SCALE	5:1	RESTRICTED TO SHEET 1 OF 1 REV D